

## 50" Linear Electric Fireplace

BLF50

### Product Description

- Patented electric flame technology
- The glass flame bed lets light shine and reflect off of the randomly sized glass pieces creating an effect that is as alluring as it is contemporary.
- Four installation options:
  - Fully recessed in to a new construction wall
  - Retrofit – built-in to an existing 2x4 wall
  - Wall-mount
- Operates with flame only or flame and heat
- Built-in manual switches – main on/off, low heat (600 Watts), high heat (1200 Watts).
- 120 Volts / 1,230 Watts / 4,198 BTU

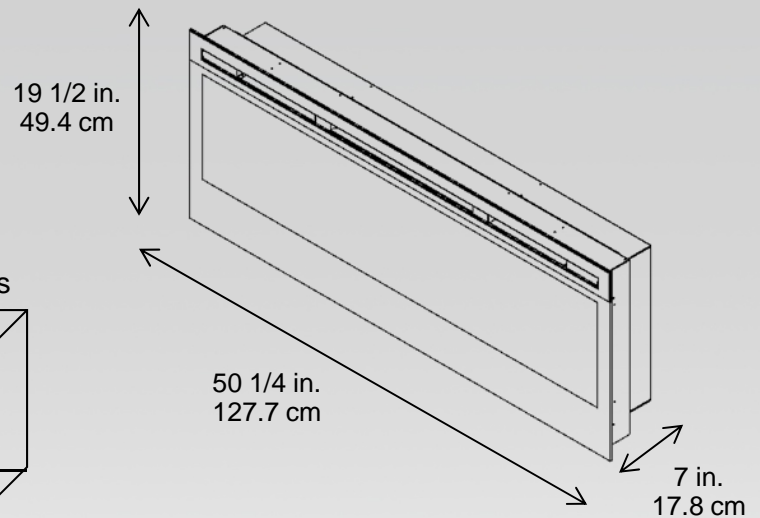
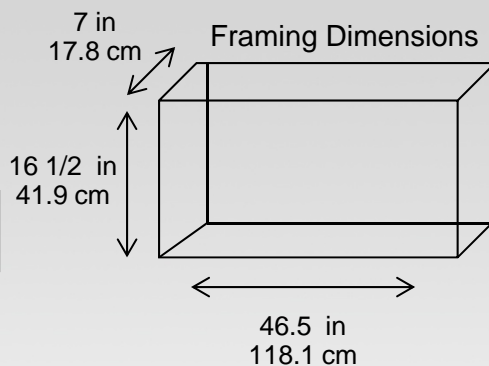


### Accessory

- WRCPF-KIT – Wall switch remote control



Includes 3-stage remote control



Model #	Description	lbs/kg	UPC	Wty. †	Carton Dimensions (W x H x D)		Cube	
					Inches	cm	ft <sup>3</sup>	m <sup>3</sup>
BLF50	50" linear wall mount electric fireplace.	80 / 36.3	781052 061149	2 yr.				
	Ships in one carton.				54.7 x 12.5 x 22	139 x 32 x 56	8.7	0.25

Patent protected: for a complete list of applicable patents visit: [www.dimplex.com/patents](http://www.dimplex.com/patents). Specifications, finishes and dimensions are subject to change and should be taken as a guide only.

\* Based on average national residential electricity rates. Rates vary. † Limited warranty. © 2011 Dimplex North America Limited.